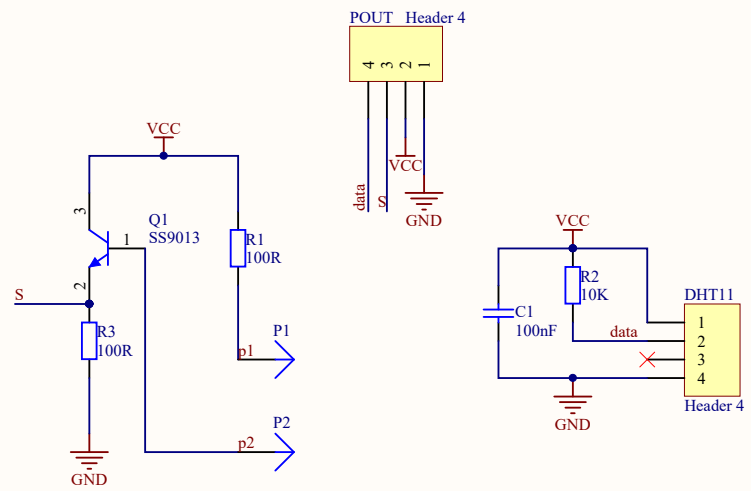


# OSEPP REED SWITCH MODULE (Arduino Compatible) Moisture&Humidity Sensor



**TITLE: Moisture&Humidity Sensor**  
**DATE: 2016/04/10**