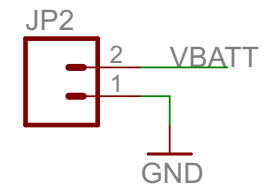
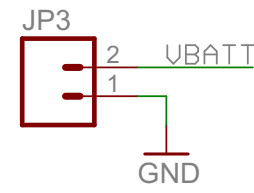
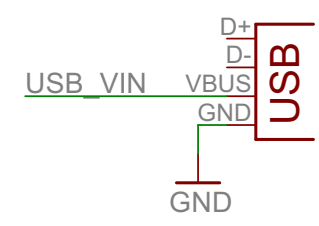
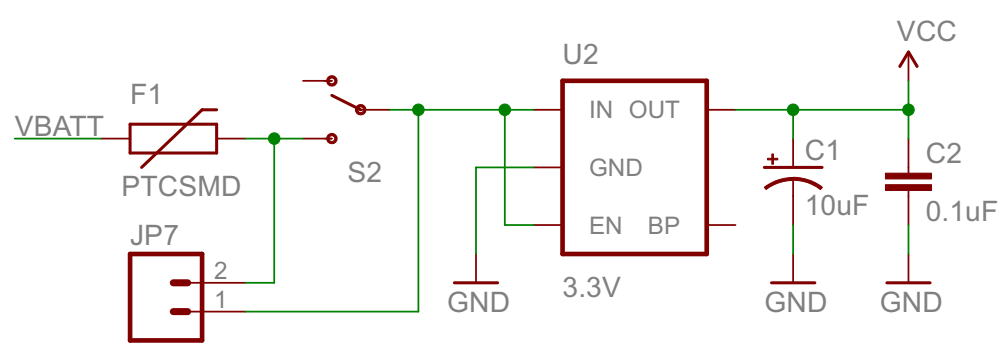
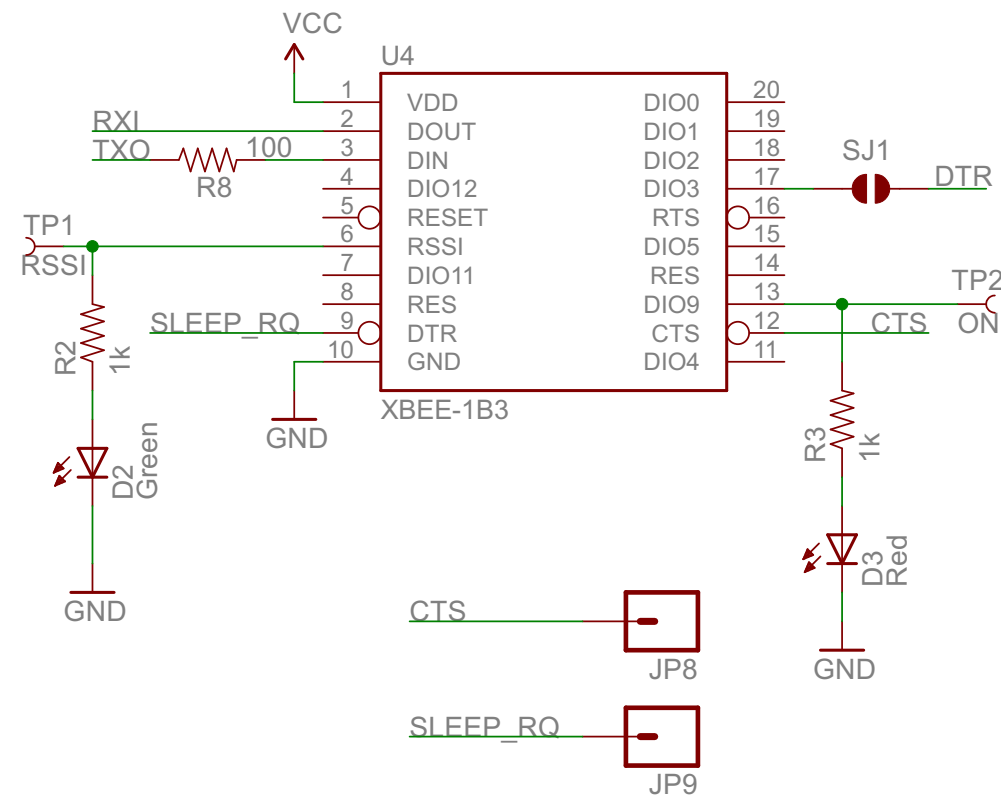
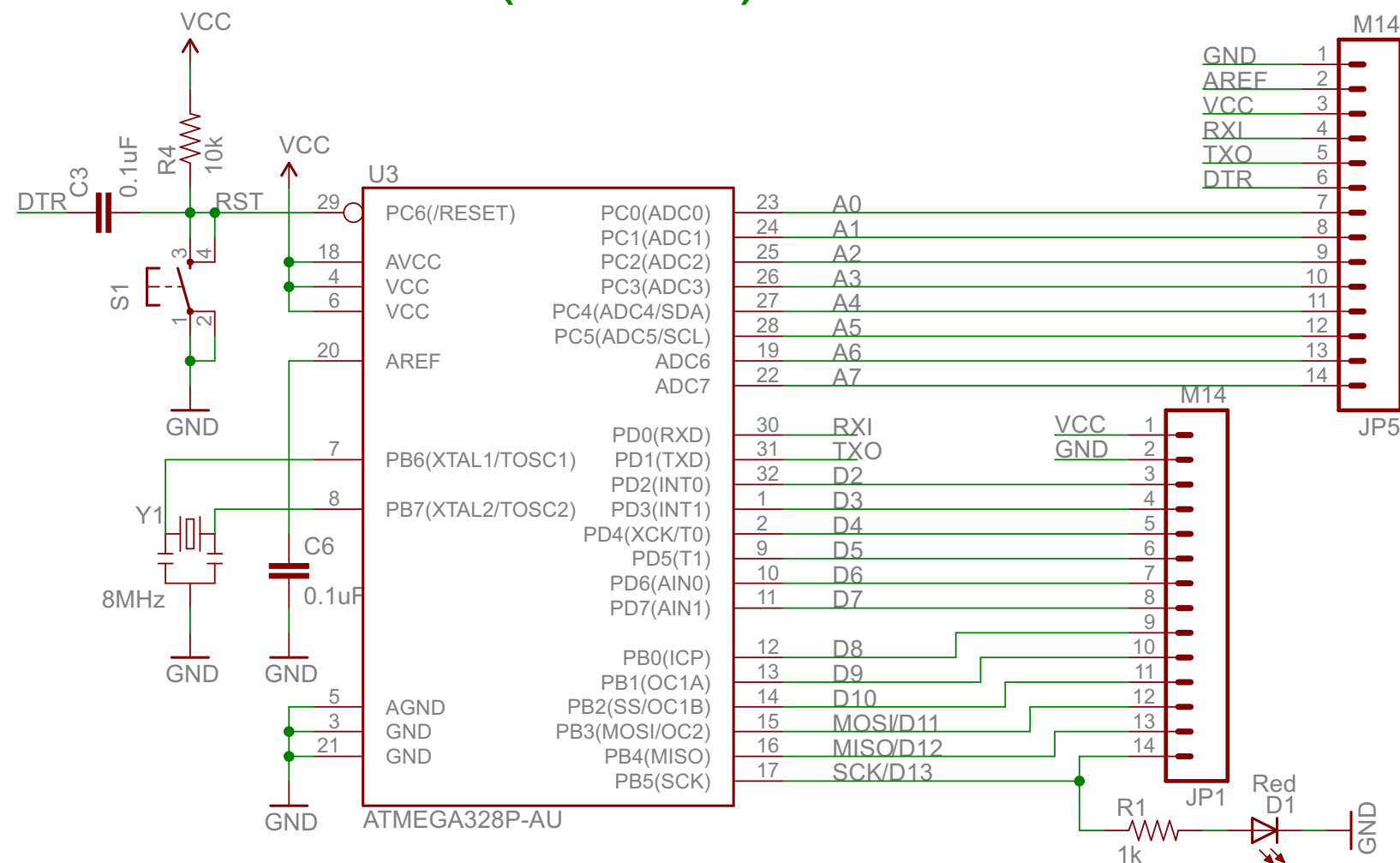
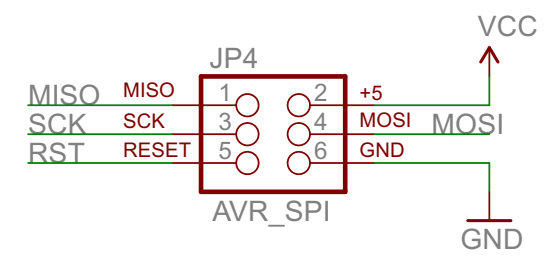
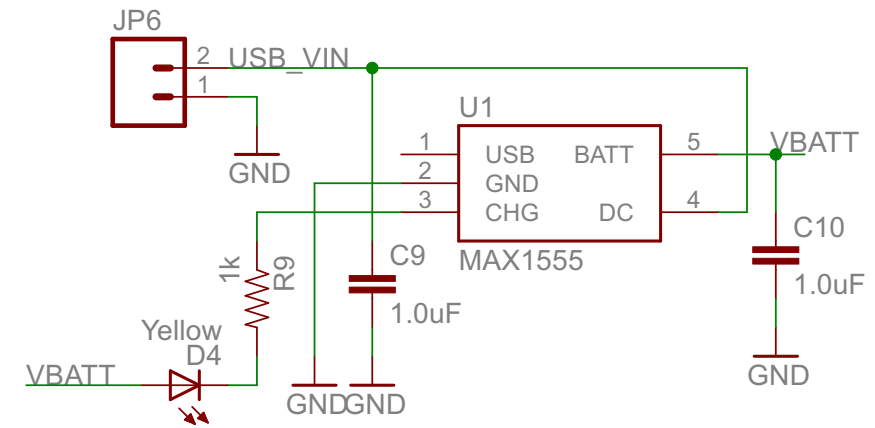


OSEPP Fio (Arduino Compatible)

OSEPP-FIO-01 (Rev1.1)



Based on Arduino Fio Design



TITLE: OSEPP_Fio-Rev1.1		⊗ ⊗
Document Number:		REV:
Date: 9/16/2011 6:47:29 AM	Sheet: 1/1	